



GLIDE-AWAY GARAGE DOORS



The smarter choice by design



SMARTECH DOOR SYSTEMS IS DEDICATED TO IMPROVING LIFESTYLE AND FLOOR-PLAN FUNCTIONALITY.

We provide excellent design solutions and quality door and window systems, giving our customers the luxury of additional and versatile open space at the touch of a button. Our contemporary designs and innovative approach have set a new benchmark in home entertainment and commercial floor-plan flexibility.

With a philosophy that design and functionality should always go hand-in-hand, we produce high-end products that not only provide the look, but the quality our clients have come to expect. With a focus on specialised applications, we are committed to absolute client satisfaction, looking at each client's specific needs and ideas and then suggesting the best way to achieve their vision.

Smartech Door Systems – Providing solutions for:

Solutions

- Entertainment areas
- Outdoor alfresco areas
- Outdoor decks and patios
- Cafes and Bars
- Garage doors
- Small entrance openings
- Sunrooms
- Awning features
- Showroom entrance doors
- Moving glass walls
- Exercise facilities and gymnasiums
- Balconies
- Pool enclosures
- Outdoor barbecue areas



GLIDE-AWAY TILT GARAGE DOORS

Features

- Flexible frame design to suit different cladding options
- Doors balanced with our weighting system assuring consistent operation
- A great range of powder coated colours available
- Aluminium frame and tracks
- Stainless steel components
- Seals around perimeter frame
- Ball bearing guide rollers

Finished Opening Sizes in the standard range

Height: 2200mm to 2700mm

Width: 2200mm to 5200mm

Note: These sizes apply to the standard range. All widths are subject to variation depending on the choice of cladding design and height required. Please consult manufacturer for a Door Specifications sheet.

Glide-Away Tilt Doors

Smartech Door Systems lets you design your garage door according to the façade of the building. The Glide-Away Tilt Door creates a grand entrance feel when the door moves into the open position. With a standard range of sizes and glass designs, we are able to provide a timely service. However, should your requirements sit outside our standard range, our ability to custom design will allow us to find the perfect solution to suit your needs.

Door Openings

The Tilt garage door openings will vary in design to suit the different facade appearances, if you require a flush finish design please consult manufacturer as this will be very different to a standard garage door opening. Please review door thickness for consideration of opening height, as this will determine your drive through height requirements.

Door Frame & Fittings

The Glide-Away Tilt door frame is made from high strength alloy aluminium profiles and designed to AS1170 Parts 1-2 (Australian Std. Wind Load) Only the highest quality materials are used for the frame, guides & fittings. Components are either stainless steel or aluminium in a durable powder coat finish.

The Tilt door frame is made as a single panel with fittings, axles and ball bearing guide rollers already attached. The guide rollers run in specially designed Smartech guide tracks which are vertically mounted, either side of the doorway. The door is counterweight balanced giving effortless dependable operation for years to come.

Note: It is the responsibility of the designer or builder to provide adequate fixing to carry all weight loads.



Weight Covers

Weight covers are designed to enclose the counterweights out of harm's way and provide a tidy aesthetic finish. Covers will wrap around, extending from the track or motor rack and returning to the wall.

Timber Cladding

The Manufacturer will take responsibility for the supply and install of timber appropriate for the frame design as per their quotation. If timber is not supplied and installed by the manufacturer then it is the responsibility of the purchaser to follow manufacturer design and maintenance specifications and to inform the manufacturer of the exact timber or building material being used so that weights can be calculated accurately as required to keep the door balanced.

Operation

The Glide-Away Tilt Garage Door is balanced between the frame weight and the weights that are attached via two axle shafts over a pulley sheave. Door movement is guided by bearings attached to the door frame, operating in the specially extruded aluminium running guides. The axles are located half way down on the sides of the frame, allowing the door to pivot half in and half out of the building line

Motorisation

The Glide-Away Tilt Door can have the optional motor fitted. The motor offering a whisper quiet operation, which allows the door to move slowly on start-up and increase speed, only to slow down in speed before coming to a stop in the open position. This soft start and soft stop motor feature will be noticed in how the door operates silently. The motor is positioned at the top of the tracks to keep the garage looking clean. Using a full chain drive system allows for years of operation and the chain is completely hidden by brush seals.

Operational Diagrams

Glide-Away Tilt Garage Doors



Standard Glazing HL

Copper Flush Finish

GLIDE-AWAY FULLY INTERNAL TILT GARAGE DOORS

Features

- Flexible frame design to suit different cladding options
- Doors balanced with our weighting system assuring consistent operation
- A great range of powder coated colours available
- Aluminium frame and tracks
- Stainless steel components
- Seals around perimeter frame
- Ball bearing guide rollers

Finished Opening Sizes in the standard range

Height: 2200mm to 2700mm

Width: 2200mm to 5200mm

Note: These sizes apply to the standard range. All widths are subject to variation depending on the choice of cladding design and height required. Please consult manufacturer for a Door Specifications sheet.

Glide-Away Fully Internal Tilt Garage Doors (Flush Finish)

Smartech Door Systems allows your garage door to be a one piece door opening within the boundary line. This design is very useful when you still want the seamless link between facade and garage door and when space is at a premium for your building. The Glide-Away Fully Internal Door creates a silent operation feel when the door moves into the open position. With a standard range of sizes and optional glass designs, we are able to provide you with many solutions. Should your requirements sit outside our standard range, our ability to custom design will allow us to find the perfect solution to suit your needs.

Door Openings

The fully Internal tilt garage door openings will vary in design to suit the different facade appearances, if you require a flush finish design please consult manufacturer as this will be very different to a standard garage door opening.

Door Frame & Fittings

The Glide-Away Fully Internal Tilt door frame is made from high strength alloy aluminium profiles and designed to AS1170 Parts 1-2 (Australian Std. Wind Load) Only the highest quality materials are used for the frame, guides & fittings. Components are either stainless steel or aluminium in a durable powder coat finish.

The Fully Internal Tilt door frame is made as a single panel with fittings, axles and ball bearing guide rollers already attached. The guide rollers run in specially designed Smartech guide tracks which are vertically and horizontally mounted, either side of the doorway. The door is counterweight balanced giving effortless dependable operation for years to come.

Note: It is the responsibility of the designer or builder to provide adequate fixing to carry all weight loads.



Weight Covers

Weight covers are designed to enclose the counterweights out of harm's way and provide a tidy aesthetic finish. Covers will wrap around, extending from the track or motor rack and returning to the wall.

Timber Cladding

The Manufacturer will take responsibility for the supply and install of timber appropriate for the frame design as per their quotation. If timber is not supplied and installed by the manufacturer then it is the responsibility of the purchaser to follow manufacturer design and maintenance specifications and to inform the manufacturer of the exact timber or building material being used so that weights can be calculated accurately as required to keep the door balanced.

Operation

The Glide-Away Fully Internal Tilt Garage Door is balanced between the frame weight and the weights that are attached via two axle shafts over a pulley sheave. Door movement is guided by bearings attached to the door frame, operating in the specially extruded aluminium running guides. There are two axles on the sides of the frame located near the top of door and two axles located around knee height on the sides of the frame, allowing the door to fully open within the building line.

Motorisation

The Glide-Away Fully Internal Tilt Door can have the optional motor fitted. The motor offering a whisper quiet operation, which allows the door to move slowly on start-up and increase speed, only to slow down in speed before coming to a stop in the open position. This soft start and soft stop motor feature will be noticed in how the door operates silently. The motor is positioned at the ceiling in centre of garage with the drive rack fixed at the head of the garage door. Using a full chain drive system allows for years of operation with the chain running within the drive rack extrusion.

Operational Diagrams

Glide-Away Fully Internal Tilt Garage Doors



GLIDE-AWAY FOLDING GARAGE DOORS

Features

- Customised frame design to suit different cladding options
- Doors balanced with our weighting system assuring consistent operation
- A great range of powder coated colours available
- Aluminium frame and tracks
- Stainless steel components
- Seals around perimeter frame
- Ball bearing guide rollers

Finished Opening Sizes in the standard range

Height: 2400mm to 3000mm

Width: 2200mm to 5200mm

Note: These sizes apply to the standard range. All widths are subject to variation depending on the choice of cladding design and height required. Please consult manufacturer for a Door Specifications sheet.

Glide-Away Folding Garage Doors

Smartech Door Systems products let nothing get in your way. The Glide-Away Folding Door creates a unique look once stacked above in the open position. With a standard range of sizes and customised cladding designs will allow you to create the solution you want. Should your requirements sit outside our standard range, we also specialise in custom design manufacture to suit your needs and specifications, whatever they may be.

Door Openings

The folding garage door openings will vary in design to suit the different facade appearances, if you require a flush finish design please consult manufacturer as this will be very different to a standard garage door opening. Please review door thickness for consideration of opening height, as this will determine your drive through height requirements.

Door Frame & Fittings

The Glide-Away Folding door frame is made from high strength alloy aluminium profiles and designed to AS1170 Parts 1-2 (Australian Std. Wind Load) Only the highest quality materials are used for the frame, guides & fittings. Components are either stainless steel or aluminium in a durable powder coat finish.

The Folding door frame is made from two single panels hinged at the centre with fittings, axles and ball bearing guide rollers already attached. The guide rollers run in specially designed Smartech guide tracks which are vertically mounted, either side of the doorway. The door is counterweight balanced giving effortless dependable operation for years to come.

Note: It is the responsibility of the designer or builder to provide adequate fixing to carry all weight loads.



Weight Covers

Weight covers are designed to enclose the counterweights out of harm's way and provide a tidy aesthetic finish. Covers will wrap around, extending from the track or motor rack and returning to the wall.

Operation

The Glide-Away Folding Garage Door is balanced between the frame weight and the weights that are attached via four axle shafts over two pulley sheaves. Door movement is guided by bearings attached to the two leaf door frame, operating in the specially extruded aluminium running guides. The upper frame is attached by guide arms that help maintain the travel arc when the door is folding into the open position.

Timber Cladding

The Manufacturer will take responsibility for the supply and install of timber appropriate for the frame design as per their quotation. If timber is not supplied and installed by the manufacturer then it is the responsibility of the purchaser to follow manufacturer design and maintenance specifications and to inform the manufacturer of the exact timber or building material being used so that weights can be calculated accurately as required to keep the door balanced.

Motorisation

The Glide-Away Folding Door can have the optional motor fitted. The motor offering a whisper quiet operation, which allows the door to move slowly on start-up and increase speed, only to slow down in speed before coming to a stop in the open position. This soft start and soft stop motor feature will be noticed in how the door operates silently. The motor is positioned at the top of the tracks to keep the garage looking clean. Using a full chain drive system allows for years of operation and the chain is completely hidden by brush seals.

Operational Diagrams

Glide-Away Folding Garage Doors



Standard Glazing SLE



Standard Glazing HLE

SMARTTECH FEATURES

Compact, Intelligent Design, practical and uncompromising on quality, Smartech Door Systems designs offer you a low-maintenance product that invites the outside in, whilst offering complete protection from the elements.

Features

- Hand transmitter operation
- Smarter Bottom Seal
- Smarter Connections
- Smarter Hinges
- Smarter Locking
- Smarter Drive System
- Smarter Track Seals
- Smarter Frame Seals

Motorisation

The Glide-Away Garage Door range can be fitted with a 24 volt DC variable speed motor or alternative heavier/commercial type doors with a 240 volt AC variable speed motor, having a variable speed offers soft start and soft stop which makes the door operate quietly and smoothly at the end travel positions. The aluminium drive rack and stainless steel drive ramp plate is powder coated as standard with the motor being above the counterweight cover making it visible. Using a full chain drive system allows for years of operation and chain is completely hidden by brush seals ensuring safety is not compromised. Compact, sturdy and reliable, it is suitable for any residential or commercial premises.



THE SMARTTECH CHOICE BY DESIGN

Operation

The Glide-Away Tilt Garage Door is balanced between the frame weight and the weights that are attached via two axle shafts over a pulley sheave. Door movement is guided by bearings attached to the door frame, operating in the specially extruded aluminium running guides. The axles are located half way down on the sides of the frame, allowing the door to pivot half in and half out of the building line.

The Smartech Choice by Design

When you are looking for the very best in contemporary door design, for an exemplary and quality-driven product and for effortless floor space flexibility, look no further than Smartech Door Systems.



Traditional Sectional Overhead Door

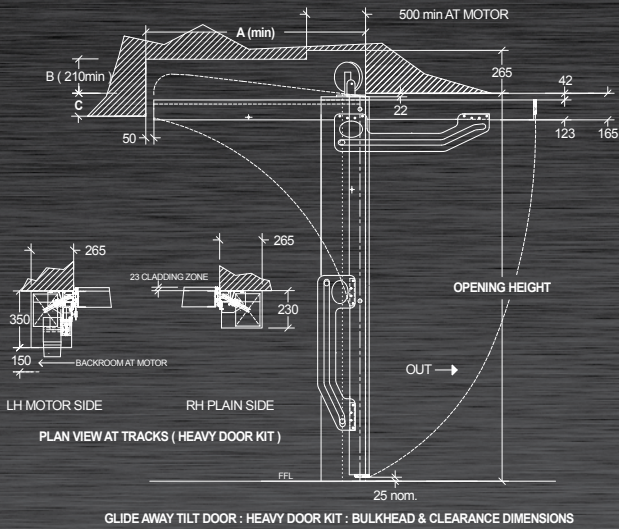


Smartech Counterweight Tilt Door

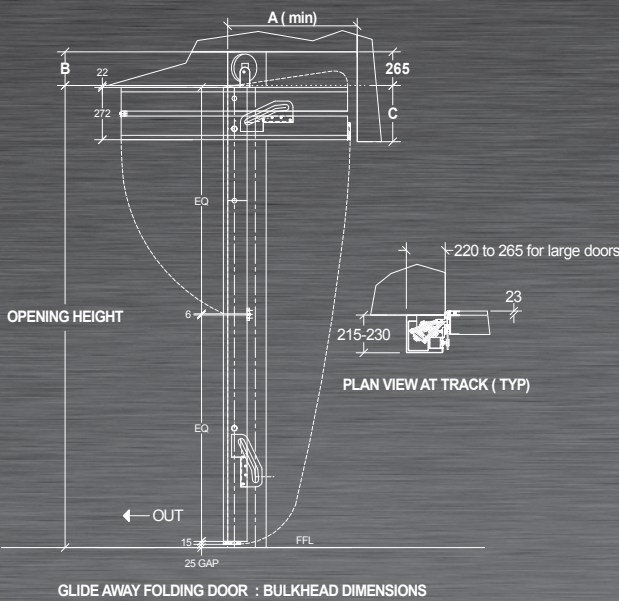
SMARTTECH DOOR SYSTEMS IS DEDICATED TO IMPROVING THE LOOK OF EVERY GARAGE SPACE.

OPERATIONAL DIAGRAMS

Glide - Away Tilt Garage Door



Glide - Away Folding Garage Door



Optional Photo Electric Beams

Safety is paramount at Smartech Door Systems as is our passion and commitment to creating door products that are designed to be streamline. The photo electric beam allows an additional safety, having an object in the path of the photo beam whilst the door is closing the door shall stop and travel back upwards. This allows a peace of mind for kids or objects in the path of the door not to be contacted.



Smart Features

Smarter Bottom Seal



Smarter Connections



Smarter Hinges



Smarter Locking



Smarter Drive System



Smarter Track Seals



Smarter Frame Seals



MELBOURNE
ADELAIDE
BRISBANE
SUNSHINE COAST
CENTRAL COAST
SYDNEY
PERTH



Available:

Head Office & Production Facility

9 Production Road, Melton, Victoria 3337

Phone (03) 9747 9233 **Mobile** 0403 321 840

Email sales@smartechdoorsystems.com.au www.smartechdoorsystems.com.au